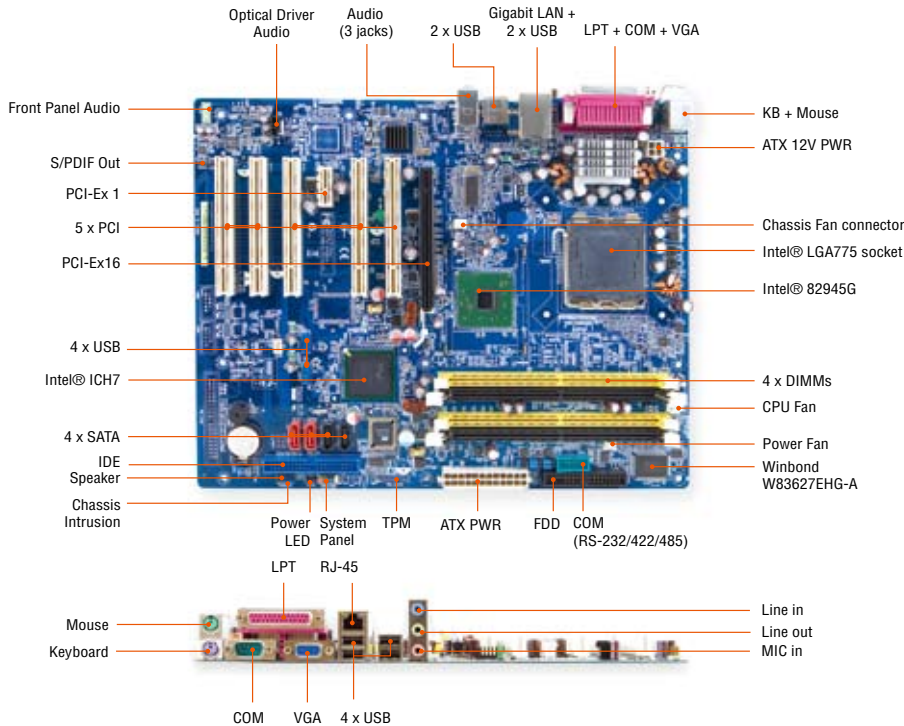


i945G2-IGA

Intel® 945G LGA775 Core™ 2 Duo ATX Motherboard



Features

- Supports 65nm Intel® Core™ 2 Duo / Core™ Duo / Pentium® 4 / Celeron® D CPU
- Intel® 82945G Chipset
- Four DIMMs up to 4 GB 2-CH DDR2 667/533 SDRAM
- Intel® Graphics Media Accelerator 950
- Realtek ALC888 5.1+2 CH HD Audio Supports Dual Audio Stream
- Intel® 82573L Gigabit LAN
- 1 PCI-E X16, 1 PCI-E X1, 5 PCI 2.2
- 2 COM, 8 USB, 4 SATA 300/150
- PCI-E X16 Slot Supports ADD2 VGA/DVI/LVDS Card



ATX Motherboard

Specifications

System

CPU	Intel® µFC-LGA 775 socket Supports Core 2 Duo / Pentium® D / Pentium® 4 / Celeron® D with 65nm process technology
FSB	1066/800/533 MHz
BIOS	Award 4 Mb Flash BIOS
System Chipset	Intel® 82945G GMCH/ ICH7
I/O Chip	Winbond W83627EHG-A
System Memory	Four 240-pin DIMM sockets support up to 4 GB Dual Channel DDR2 667/533 SDRAM
Watchdog Timer	Reset: 1 sec.~255 min. and 1 sec. or 1 min./step
H/W Status Monitor	Monitoring temperatures, voltages, and cooling fan status. Auto throttling control when CPU overheats
Expansion	One PCI Express X16, one PCI Express X1, five PCI slots (PCI Rev. 2.2 compliant)

I/O

MIO	1 x EIDE (Ultra DMA 100), 4 x SATA, 1 x FDD, 1 x LPT, 1 x RS-232, 1 x RS-232/422/485, 1x K/B, 1 x Mouse
USB	8 x USB 2.0

Display

Chipset	Intel® 82945G GMCH integrated Graphics Media Accelerator 950
Display Memory	Intel® DVMT 3.0 supports 224 MB video memory
Max. Resolution	2048 x 1536 @ 32 bpp (75 Hz)
External VGA	PCI-E X16 VGA interface
LVDS	Through ADD2 LVDS Card (Customized BIOS required)
DVI	Through ADD2 DVI Card (Customized BIOS required)
2nd VGA	Through ADD2 VGA Card (Customized BIOS required)

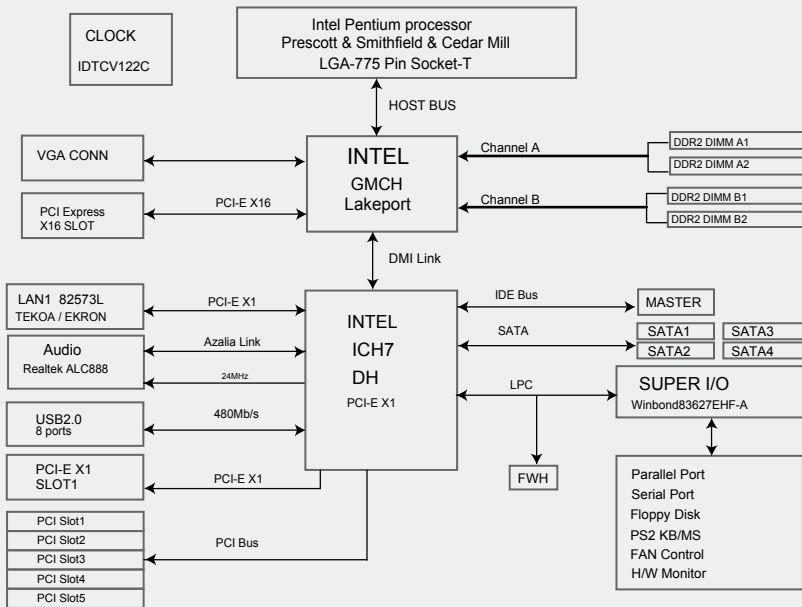
Audio

Chipset	Intel® ICH7
Audio Codec	Realtek ALC888 high-definition Audio Codec supports 5.1+2-CH two independent Audio streams
Audio Interface	Mic in, Line in, CD Audio in, Line out, S/PDIF

Ethernet

LAN 1	Intel® 82573L Gigabit LAN
--------------	---------------------------

Block Diagram



Ordering information

i945G2-IGA

Intel® LGA775 Core 2 Duo / Pentium® D / Pentium® 4 / Celeron® ATX Motherboard with VGA, Audio, Gb LAN, 2 COM, 8 USB 2.0, 1 PCI-E X16, 1 PCI-E X1, & 5 PCI

Packing list

80A-945G20-1000L00	i945G2-IGA ATX Motherboard	1
14G000011238	CABLE 2IN1 FD/ATA W/K	1
14G000020096	COM1 CABLE 9P, L:260mm	1
14G000100915	SATA CABLE 7P 2IN1 RED COLOR	2

Back Panel I/O Port

- 1 x PS/2 Keyboard
- 1 x PS/2 Mouse
- 1 x Parallel port
- 1 x Serial port
- 1 x VGA port
- 1 x RJ45 port
- 4 x USB ports
- Audio I/O (3 jacks)

Internal I/O Connector

- 2 x USB connectors support 4 USB ports
- 1 x 24-pin ATX Power connector
- 1 x 4-pin ATX 12V Power connector
- 1 x Floppy disk drive connector
- 1 x IDE connector for two devices
- 1 x COM connector
- 1 x Chassis intrusion connector
- 1 x CD audio in connector
- 1 x TPM connector (option)
- 4 x SATA connectors
- 1 x Front panel audio connector
- 1 x SPDIF out connector
- 1 x System panel connector
- 1 x CPU Fan connector
- 1 x Chassis Fan connector
- 1 x Power Fan connector

Mechanical & Environmental

Power Requirement	+5 V @ 4.26 A, +12 V @ 10.12 A, +3.3 V @ 722 mA (with Intel Core 2 Duo E6400 2.13 GHz & 1 GB*2 DDR2 SDRAM)
Power Type	ATX
Operating Temperature	0~60°C (32~140°F)
Operating Humidity	0%~90% relative humidity, non-condensing
Size (L x W)	12" x 9.6" (304.8 mm x 243.84 mm)
Weight	1.32 lbs (0.6 Kg)

Avalue Technology Inc.

US Headquarters

200 Tornillo Way, Suite 210

Tinton Falls, NJ 07712

Tel: (732) 578-0200

Fax: (732) 578-0250

E-mail sales@avalue-usa.com