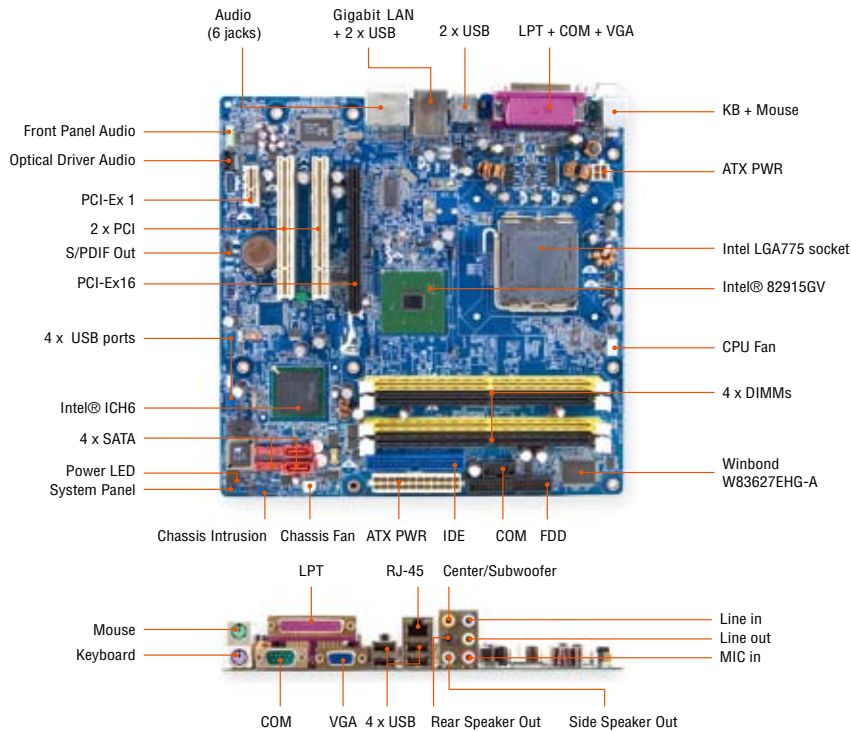


i915GV2-IGM

Intel® 915GV LGA775 Pentium® 4 Micro ATX Motherboard



Features

- Supports 90 nm Intel® Pentium® 4 / Celeron® D CPU
- Intel® 82915GV Chipset
- Four DIMMs up to 4 GB 2-CH DDR2 533/400 SDRAM
- Intel® Graphics Media Accelerator 900
- Realtek ALC888 Supports 5.1+2 CH Dual Audio Streams
- Realtek RTL8110SC PCI Gigabit LAN
- 1 PCI-E X16, 1 PCI-E X1, 2 PCI 2.2
- 2 COM, 8 USB, 4 SATA
- PCI-E X16 Slot Supports ADD2 VGA/DVI/LVDS Card



Specifications

System

CPU	Intel® µFC-LGA 775 socket Supports Pentium® 4 / Celeron® D with 90 nm process technology
FSB	800/533 MHz
BIOS	Award 4 Mb Flash ROM BIOS
System Chipset	Intel® 82915GV GMCH / ICH6
I/O Chip	Winbond W83627EHG-A
System Memory	Four 240-pin DIMM sockets support up to 4 GB Dual Channel DDR2 533/400 SDRAM
Watchdog Timer	Reset: 1 sec.~255 min. and 1 sec. or 1 min./step
H/W Status Monitor	Monitoring temperatures, voltages, and cooling fan status. Auto throttling control when CPU overheats
Expansion	One PCI Express X16, one PCI Express X1, two PCI slots (PCI Rev. 2.2 compliant)
S3	S3 support
SmartFan	Yes
I/O	
MIO	1 x EIDE (Ultra DMA 100), 4 x SATA, 1 x FDD, 1 x LPT, 2 x RS-232, 1x K/B, 1 x Mouse
USB	8 x USB 2.0

Display

Chipset	Intel® 82915GV GMCH integrated Graphics Media Accelerator 900
Display Memory	Intel® DVMAT 3.0 supports 128 MB video memory
Max. Resolution	2048 x 1536 @ 32 bpp (75 Hz)
External VGA	PCI-E X16 for SDVO interface
LVDS	Through ADD2 LVDS Card (Customized BIOS required)
DVI	Through ADD2 DVI Card (Customized BIOS required)
2nd VGA	Through ADD2 VGA Card (Customized BIOS required)

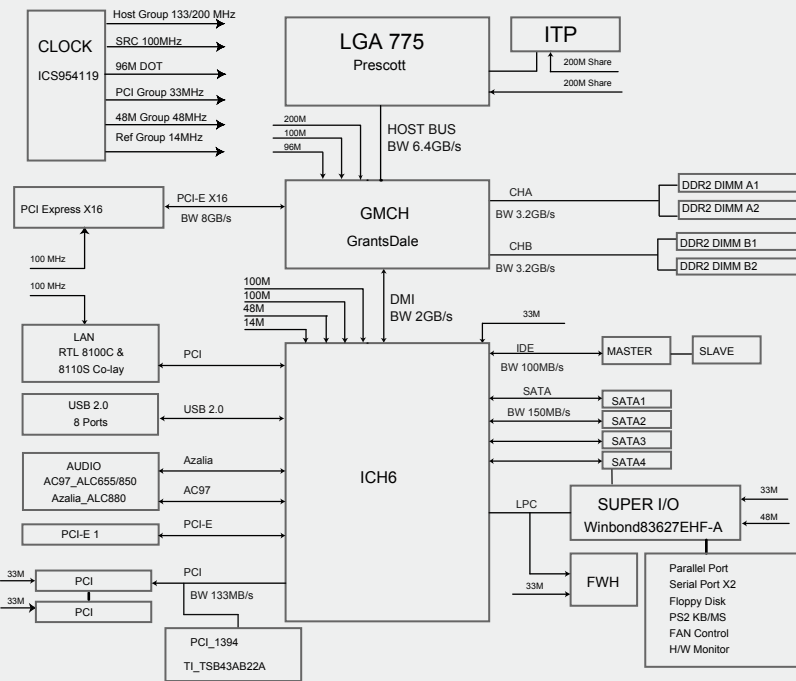
Audio

Chipset	Intel® ICH6
Audio Codec	Realtek ALC888 High Definition Audio Codec supports 5.1+2-CH two independent Audio streams
Audio Interface	Mic in, Line in, CD Audio in, Line out, S/PDIF

Ethernet

LAN 1	Realtek RTL8110SC PCI Gigabit LAN
--------------	-----------------------------------

Block Diagram



Ordering information

i915GV2-IGM

Intel® LGA775 Pentium® D / Pentium® 4 / Celeron® D Micro ATX Motherboard with VGA, Audio, Gb LAN, 8 USB 2.0, 1 PCI-E X16, 1 PCI-E X1, & 2 PCI

Packing List

90M-915GV2-1000000	i915GV2-IGM MicroATX Motherboard	1
14G000011238	CABLE 2IN1 FD/ATA W/K	1
14G000020096	COM1 CABLE 9P, L:260mm	1
14G000100915	SATA CABLE 7P 2IN1 RED COLOR	2

Back Panel I/O Port

- 1 x PS/2 Keyboard
- 1 x PS/2 Mouse
- 1 x Parallel port
- 1 x Serial port
- 1 x VGA port
- 1 x RJ45 port
- 4 x USB 2.0/1.1
- Audio I/O (6 jacks)

Internal I/O Connector

- 2 x USB connectors support 4 USB ports
- 1 x 24-pin ATX Power connector
- 1 x 4-pin ATX12V Power connector
- 1 x Floppy disk drive connector
- 1 x IDE connector for two devices
- 1 x COM connector
- 1 x Power LED connector
- 1 x Chassis intrusion connector
- 1 x CD audio in connector
- 4 x SATA connectors
- 1 x Front panel audio connector
- 1 x S/PDIF out connector
- 1 x System panel connector
- 1 x CPU Fan connector
- 1 x System Fan connector

Mechanical & Environmental

Power Requirement	+5 V @ 4.10 A, +12 V @ 7.85 A, +3.3 V @ 1.07 A (with Intel® Celeron® D 3.06 GHz & 512 MB DDR2 SDRAM)
Power Type	ATX
Operating Temperature	0~60°C (32~140°F)
Operating Humidity	0%~90% relative humidity, non-condensing
Size (L x W)	9.6" x 9.6" (243.84 mm x 243.84 mm)
Weight	0.88 lbs (0.4 Kg)

Avalue Technology Inc.

US Headquarters

200 Tornillo Way, Suite 210
 Tinton Falls, NJ 07712
 Tel: (732) 578-0200
 Fax: (732) 578-0250
 E-mail sales@avalue-usa.com