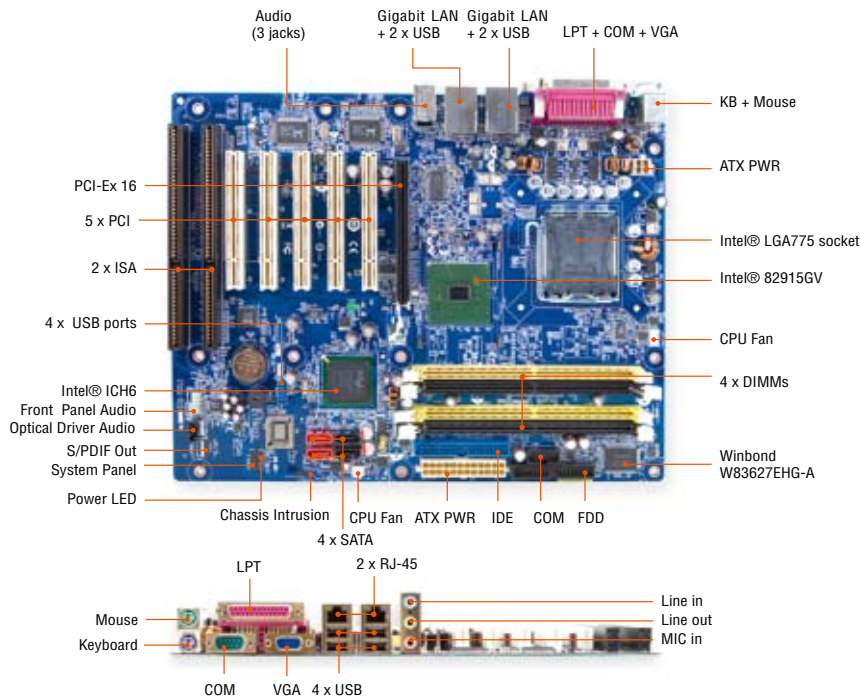


i915GV-INA Intel® 915GV LGA775 Pentium® 4 ATX Motherboard



Features

- Supports 90nm Intel® Pentium® 4 / Celeron® D CPU
- Intel® 82915GV Chipset
- Four DIMMs up to 4 GB 2-CH DDR2 667/533/400 SDRAM
- Intel® Graphics Media Accelerator 900
- Realtek ALC888 5.1+2 CH HD Audio Supports Dual Audio Stream
- Dual Realtek RTL8110SC PCI Gigabit LAN
- 1 PCI-E X16, 5 PCI, 2 ISA
- 2 COM, 8 USB, 4 SATA
- PCI-E X16 Slot Supports ADD2 VGA/DVI/LVDS Card



Specifications

System

CPU	Intel® µFC-LGA 775 socket Supports Pentium® 4 / Celeron® D with 90nm process technology
FSB	800/533 MHz
BIOS	Award 4 Mb Flash ROM BIOS
System Chipset	Intel® 82915GV GMCH/ ICH6
I/O Chip	Winbond W83627EHG-A
System Memory	Four 240-pin DIMM sockets support up to 4 GB Dual Channel DDR2 667/533/400 SDRAM
Watchdog Timer	Reset: 1 sec.~255 min. and 1 sec. or 1 min./step
H/W Status Monitor	Monitoring temperatures, voltages, and cooling fan status. Auto throttling control when CPU overheats
Expansion	One PCI Express X16, five PCI slots (PCI Rev. 2.2 compliant), 2 ISA slots
S3	S3 support
SmartFan	Yes

I/O

MIO	1 x EIDE (Ultra DMA 100), 4 x SATA, 1 x FDD , 1 x LPT, 2 x RS-232, 1x K/B, 1 x Mouse
USB	8 x USB 2.0

Display

Chipset	Intel® 82915GV GMCH integrated Graphics Media Accelerator 900
Display Memory	Intel® DVMT 3.0 supports 128 MB video memory
Max. Resolution	2048 x 1536 @ 32 bpp (75 Hz)
External VGA	PCI-E X16 for SDVO interface
LVDS	Through ADD2 LVDS Card
DVI	Through ADD2 DVI Card
2nd VGA	Through ADD2 VGA Card

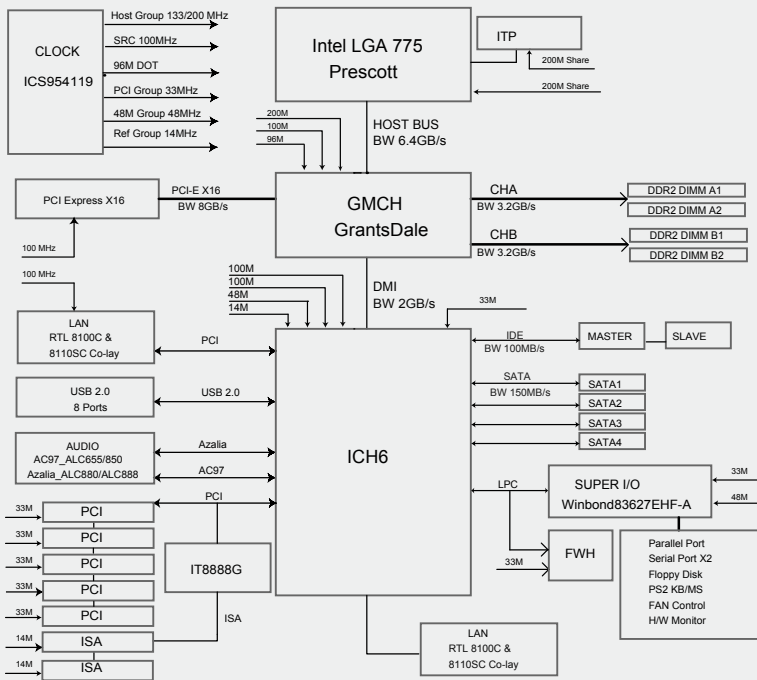
Audio

Chipset	Intel® ICH6
Audio Codec	Realtek ALC888 high-definition Audio Codec supports 5.1+2-CH two independent Audio streams
Audio Interface	Mic in, Line in, CD Audio in, Line out

Ethernet

LAN 1	Realtek RTL8110SC PCI Gigabit Ethernet controller
LAN 2	Realtek RTL8110SC PCI Gigabit Ethernet controller

Block Diagram



Ordering information

i915GV-INA

Intel® LGA775 Pentium® 4 / Celeron® ATX Main Board with VGA, Audio, Dual Gb LAN, 8 USB 2.0, 1, PCI-E X16, 5 PCI, & 2 ISA

Packing list

80A-915GV0-1000000	i915GV-INA ATX Motherboard	1
14G000011238	CABLE 2IN1 FD/ATA W/K	1
14G000020096	COM1 CABLE 9P, L:260mm	1
14G000100915	SATA CABLE 7P 2IN1 RED COLOR	1

Back Panel I/O Port

- 1 x PS/2 Keyboard
- 1 x PS/2 Mouse
- 1 x Parallel port
- 1 x Serial port
- 1 x VGA port
- 2 x RJ45 ports
- 4 x USB ports
- Audio I/O (3 jacks)

Internal I/O Connector

- 2 x USB connectors support 4 USB ports
- 1 x 24-pin ATX Power connector
- 1 x 4-pin ATX 12V Power connector
- 1 x Floppy disk drive connector
- 1 x IDE connector for two devices
- 1 x COM connector
- 1 x Chassis intrusion connector
- 1 x CD audio in connector
- 4 x SATA connectors
- 1 x Front panel audio connector
- 1 x S/PDIF out connector
- 1 x Power LED connector
- 1 x System panel connector
- 1 x CPU Fan connector
- 2 x Chassis Fan connector

Mechanical & Environmental

Power Requirement	+5 V @ 5.51 A, +12 V @ 8.16 A, +3.3 V @ 1.11 A (with Intel® Pentium® 4 3.8 GHz & 512 MB DDR2 SDRAM)
Power Type	ATX
Operating Temperature	0~60°C (32~140°F)
Operating Humidity	0%~90% relative humidity, non-condensing
Size (L x W)	12" x 9.6" (304.8 mm x 243.84 mm)
Weight	1.32 lbs (0.6 Kg)

Avalue Technology Inc.

US Headquarters

200 Tornillo Way, Suite 210

Tinton Falls, NJ 07712

Tel: (732) 578-0200

Fax: (732) 578-0250

E-mail sales@avalue-usa.com