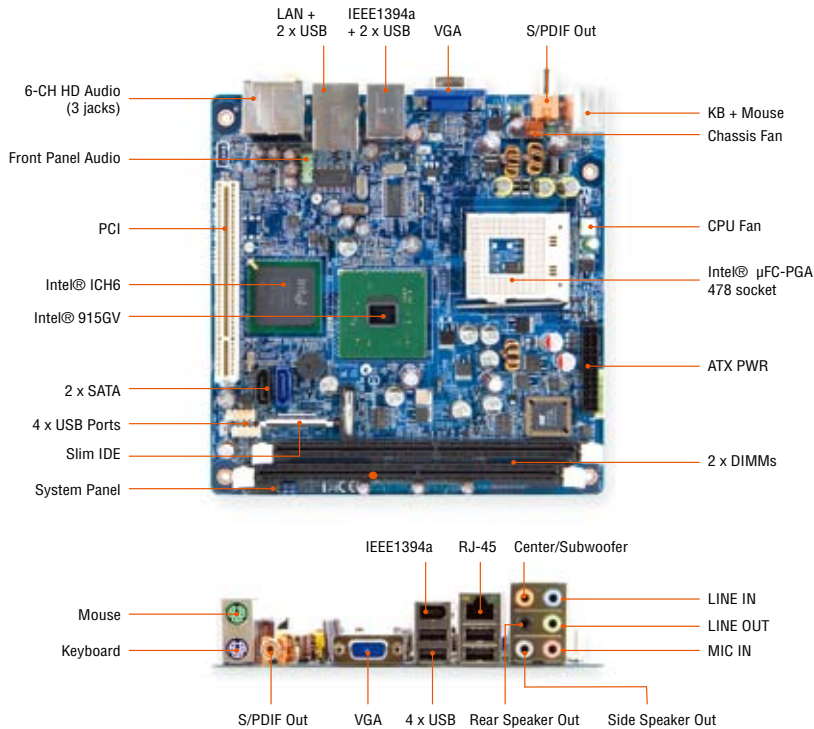


# i915GV-FI Intel® 915GV µFC-PGA 478 Pentium® M Mini ITX Motherboard



## Features

- Supports 90nm Intel® µFC-PGA 478 Pentium® M / Celeron® M CPU
- Intel® 82915GV Express Chipset
- Two 240-pin DIMM up to 1 GB DDR2 400/533 SDRAM
- Intel® Graphics Media Accelerator 900
- Realtek ALC880 7.1 CH HD Audio w/SPDIF
- Intel® 82562GT 10/100Mbps LAN
- PCI
- 2 SATA, 8 USB
- Agere LFW3226 IEEE 1394 controller



## Specifications

### System

<b>CPU</b>	Supports Intel® µFC-PGA 478 Pentium® M / Celeron® M with 90nm process technology
<b>FSB</b>	400/533 MHz
<b>BIOS</b>	Award 4 Mb Flash ROM BIOS
<b>System Chipset</b>	Intel® 82915GV GMCH/82801FB ICH6
<b>I/O Chip</b>	ASUS A8000B-NW
<b>System Memory</b>	Two 240-pin DIMM sockets support up to 2 GB Dual Channel DDR2 400/533 SDRAM
<b>H/W Status Monitor</b>	Monitoring CPU temperature and cooling fan status. Auto throttling control when CPU overheats
<b>Expansion</b>	One PCI slot (PCI Rev. 2.2 compliant)
<b>S3</b>	S3 Support

### I/O

<b>MIO</b>	1 x Slim EIDE (Ultra DMA 100), 2 x SATA, 1 x K/B, 1 x Mouse
<b>USB</b>	8 x USB 2.0
<b>IEEE-1394A</b>	Agere LFW3226 supports 2 IEEE-1394A ports

### Display

<b>Chipset</b>	Intel® 82915GV GMCH integrated Graphics Media Accelerator 900
<b>Display Memory</b>	Intel® DVMT 3.0 supports up to 128 MB video memory
<b>Resolution</b>	2048 x 1536 @ 32 bpp (85 Hz)

### Audio

<b>Chipset</b>	Intel® 82801FB ICH6
<b>AC97 Codec</b>	Realtek ALC880 7.1 CH High Definition Audio Codec
<b>Audio Interface</b>	Mic in, Line in, CD Audio in, Line out, S/PDIF

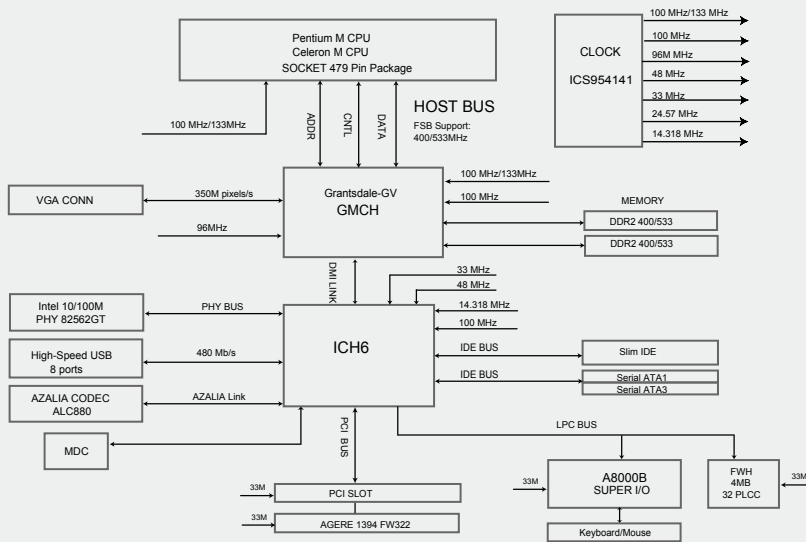
### Ethernet

<b>LAN 1</b>	Intel® EP82562GT Ethernet Phy
--------------	-------------------------------

### Back Panel I/O Port

	1 x PS/2 Keyboard 1 x PS/2 Mouse 1 x S/PDIF Out port 1 x VGA port 1 x IEEE1394a port 1 x RJ45 port 4 x USB 2.0/1.1 Audio I/O (6 jacks)
--	---

## Block Diagram



## Ordering information

### i915GV-FI

Intel® Pentium® M / Celeron® M Mini ITX Motherboard with VGA, 7.1 CH Audio, LAN, IEEE1394, PCI, & 8 USB 2.0

### Packing list of i915GV-FI

13GS0700011K05	Cooler	
80I-915GV0-1030000	i915GV-FI Mini-ITX motherboard	1
14GS0000020Y09	SATA cable	2
14GS1100000H14	ATX power adaptor cable	1

### Internal I/O Connector

- 2 x USB connectors support 4 USB ports
- 1 x 24-pin Microfit ATX Power connector
- 1 x slim IDE connector for two devices
- 2 x SATA connectors
- 1 x Front panel audio connector
- 1 x System panel connector
- 1 x Chassis Fan connector

### Mechanical & Environmental

<b>Power Requirement</b>	+5 V @ 3.34 A, +12 V @ 0.09 A, +3.3 V @ 3.74 A, 5 Vsb @ 0.23 A (with Intel® Pentium® M 1.8 GHz & 256 MB DDR SDRAM)
<b>Power Type</b>	ATX
<b>Operating Temperature</b>	0~60°C (32~140°F)
<b>Operating Humidity</b>	0%~90% relative humidity, non-condensing
<b>Size (L x W)</b>	6.69" x 6.69" (170 mm x 170 mm)
<b>Weight</b>	0.88 lbs (0.4 Kg)

### Avalue Technology Inc.

#### US Headquarters

200 Tornillo Way, Suite 210

Tinton Falls, NJ 07712

Tel: (732) 578-0200

Fax: (732) 578-0250

E-mail sales@avalue-usa.com